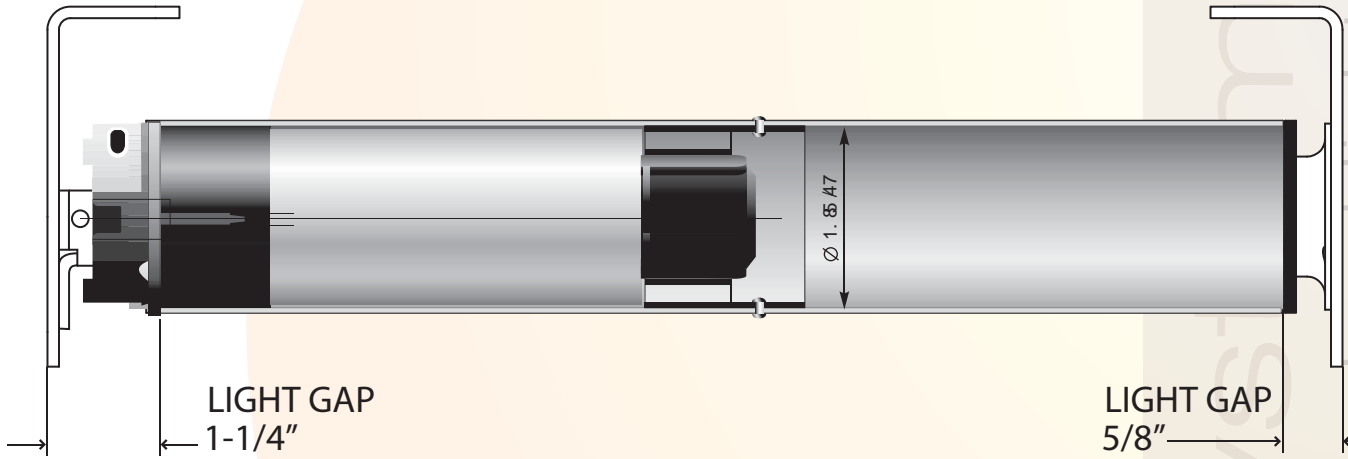
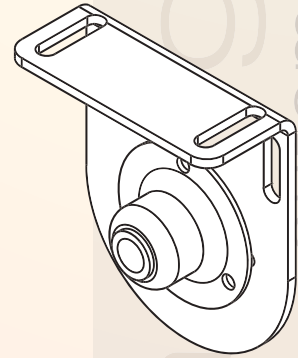
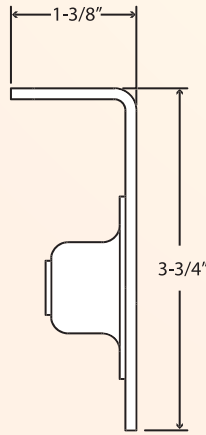
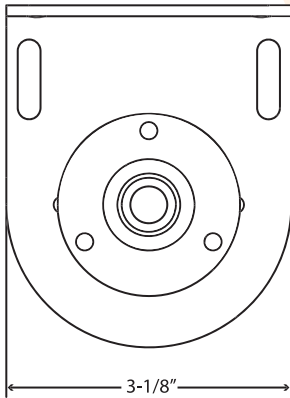


# LT50 RH (ROUND HEAD 504-515)

# 2" TUBE



## DRIVE END



## IDLE END

